

PRODUCT NUMBER

00537010

CATALOG NUMBER

5370Z

**CATCH BASIN
FRAME**

LOAD RATING

HEAVY DUTY

COATING

DIPPED

MATERIAL SPECIFICATION

FRAME - GRAY IRON
ASTM A48 CL35B

OPEN AREA
N/A

√ DESIGNATES MACHINED
SURFACE

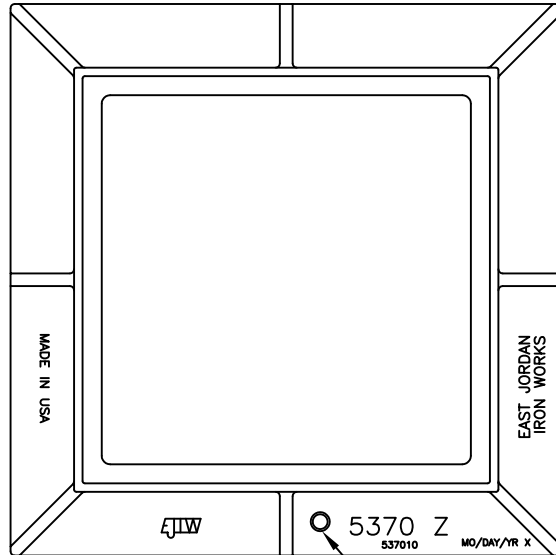
DRAWN
SBB

DATE
02/13/04

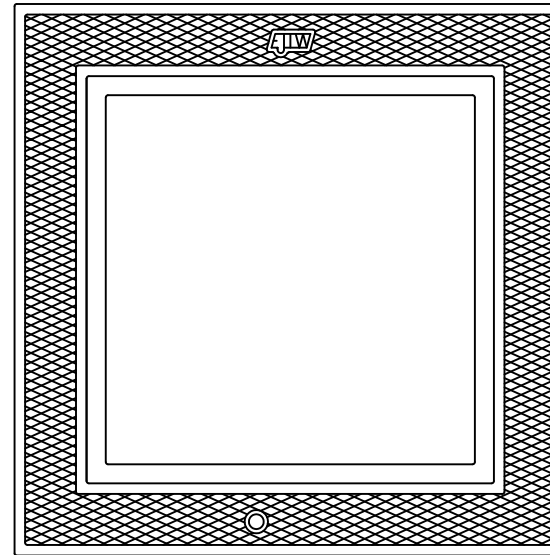
LAST REVISED
GAD

DATE
01/20/09

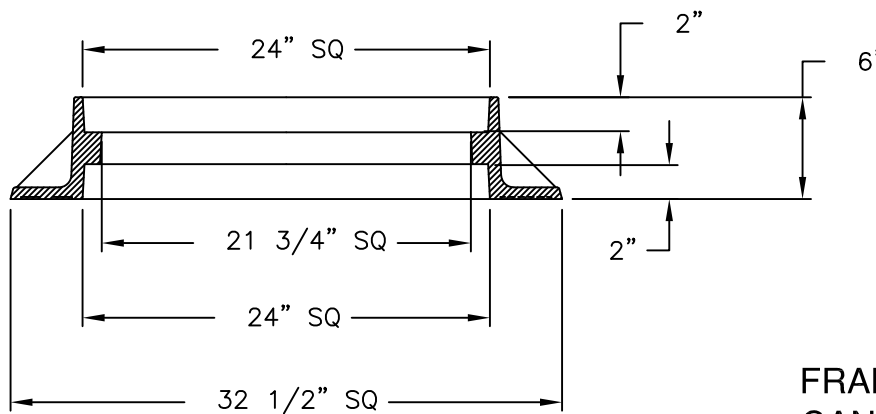
REFERENCE INFORMATION



7/8" DIA
HANDLING HOLE



TOP FLANGE VIEW



FRAME SECTION

**FRAME IS REVERSIBLE AND
CAN BE INSTALLED AS A
TOP FLANGE UNIT**