

**EAST JORDAN
IRON WORKS, INC.**

P.O. BOX 439
EAST JORDAN, MI. 49727
1-800-874-4100
FAX 231-536-4458

DRAWN
DEW

DATE
08/11/99

APPROVED

DATE

**CATCH BASIN
FRAME**

PRODUCT NO.

534511

CATALOG NO.
5345Z

REF. PRODUCT DRAWING
534511

EST. WT.
FRAME: 425 LBS 193kg

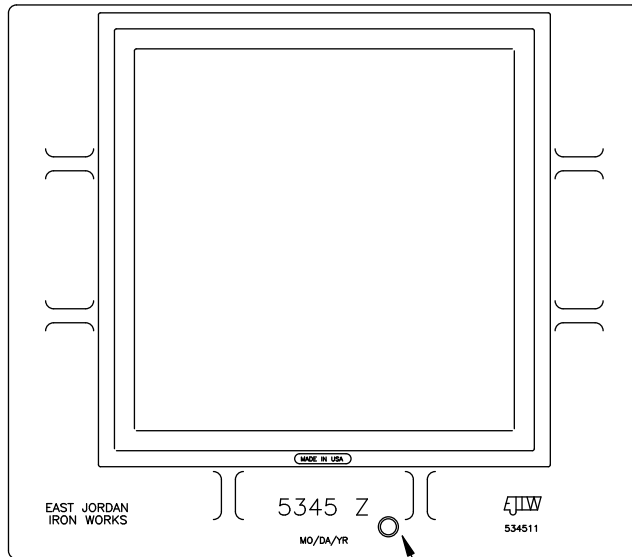
OPEN AREA
N/A

MAT'L SPEC.

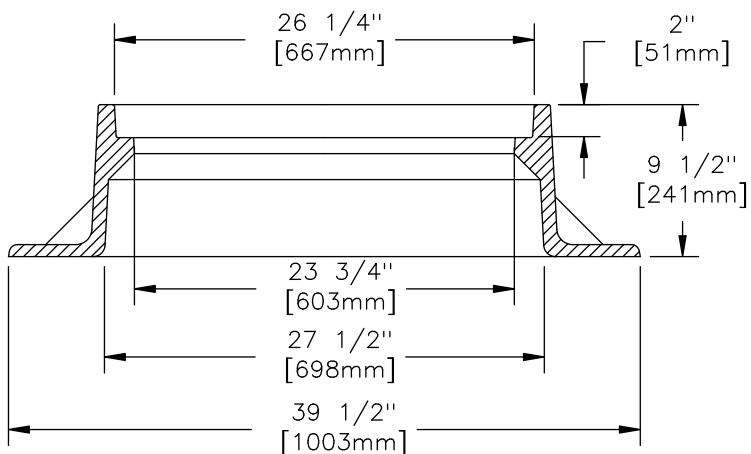
FRAME - GRAY IRON
ASTM A48 CL35

LOAD RATING

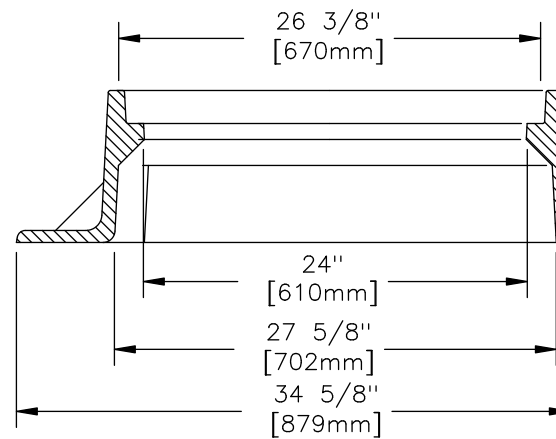
HEAVY DUTY



1" (25mm) HANDLING HOLE



SECTION



SECTION