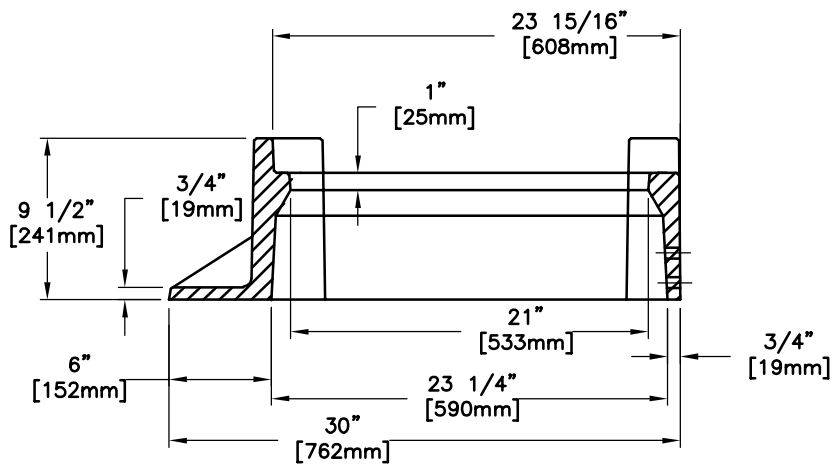


FRAME SECTION



FRAME SECTION

EAST JORDAN  
 IRON WORKS, INC.  
 P.O. BOX 439  
 EAST JORDAN, MI. 49727  
 1-800-874-4100  
 FAX 231-536-4458

DRAWN DJP	DATE 07/12/00
APPROVED	DATE

5344Z LH  
 FRAME

PRODUCT NO.  
**00534413**

CATALOG NO.  
 5344Z

REF. PRODUCT DRAWING  
 00534413

EST. WT.  
 FRAME: 337 LBS 153kg

OPEN AREA  
 N/A

MAT'L SPEC.  
 FRAME - GRAY IRON  
 ASTM A48 CL35

LOAD RATING  
 HEAVY DUTY