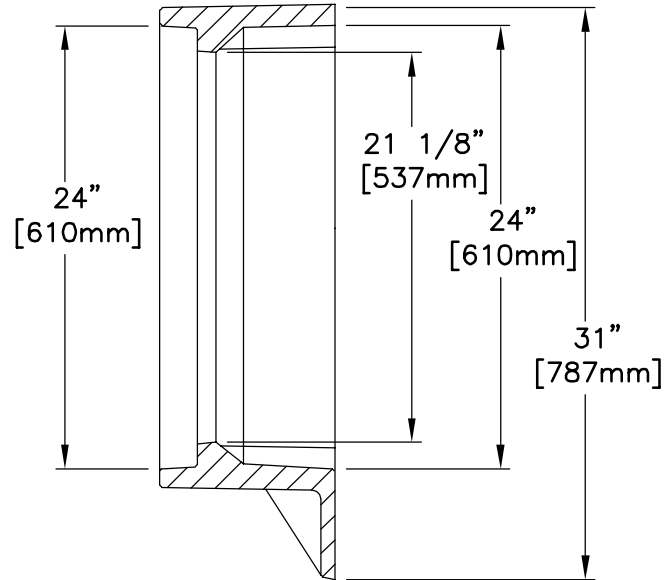
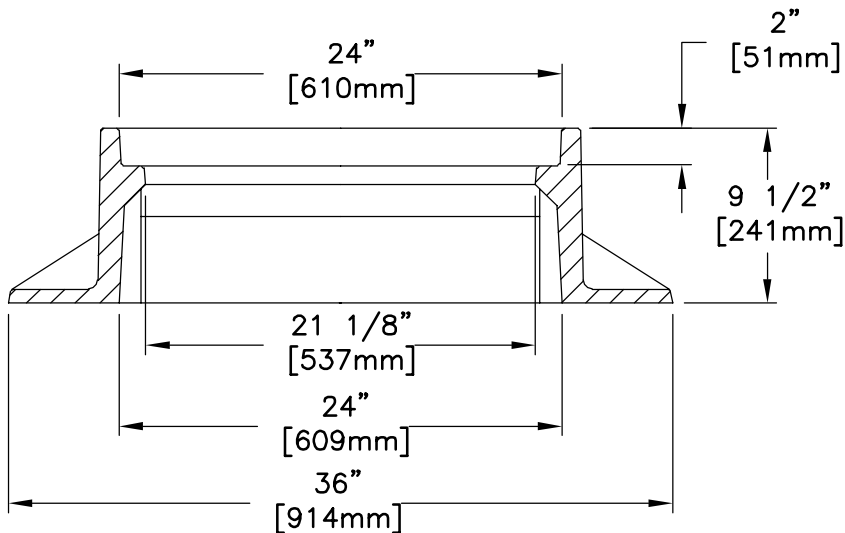


7/8" [22mm] DIA
HANDLING HOLE



FRAME SECTION



FRAME SECTION

EAST JORDAN
IRON WORKS, INC.
P.O. BOX 439
EAST JORDAN, MI. 49727
1-800-874-4100
FAX 231-536-4458

DRAWN SBB	DATE 03/04/04
--------------	------------------

APPROVED	DATE
----------	------

WEST VIRGINIA
TYPE H
INLET FRAME

PRODUCT NO.

534211

CATALOG NO.

5342Z

REF. PRODUCT DRAWING

534211

EST. WT.

FRAME: 360 LBS 163kg

OPEN AREA

N/A

MAT'L SPEC.
FRAME - GRAY IRON
ASTM A48 CL35B

LOAD RATING

HEAVY DUTY