

800-626-4653
www.ejiw.com
MADE IN USA

PRODUCT NUMBER

00525010

CATALOG NUMBER

5250Z

**CATCH BASIN
FRAME**

LOAD RATING

HEAVY DUTY

COATING

DIPPED

ESTIMATED WEIGHT

FRAME: 168 LBS

MATERIAL SPECIFICATION

FRAME - GRAY IRON
ASTM A48 CL35B

OPEN AREA

√ DESIGNATES MACHINED
SURFACE

DRAWN
HCB

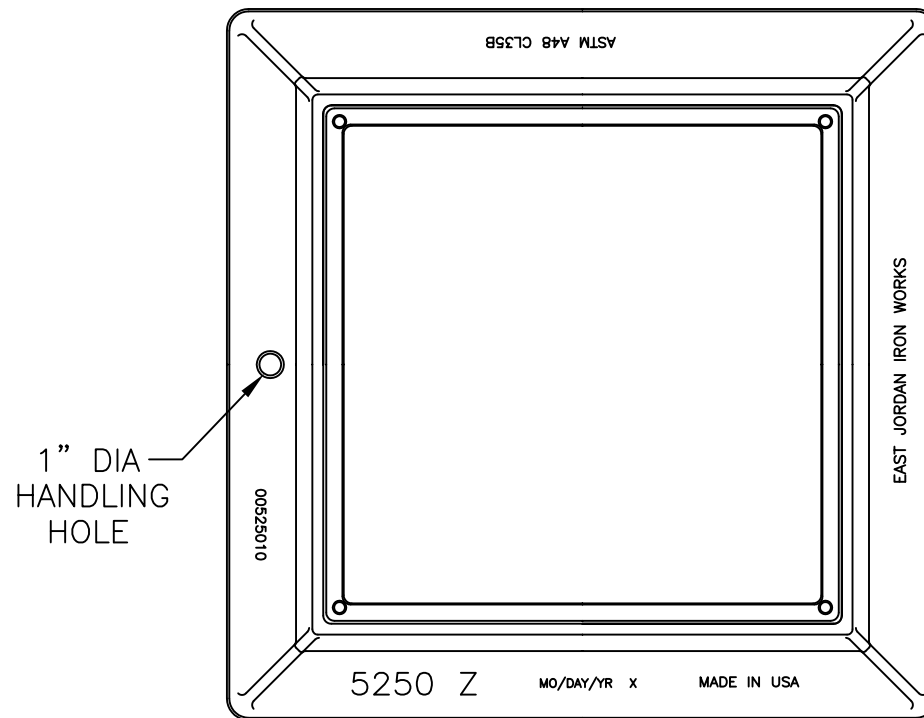
DATE
04/06/05

LAST REVISED
DAL

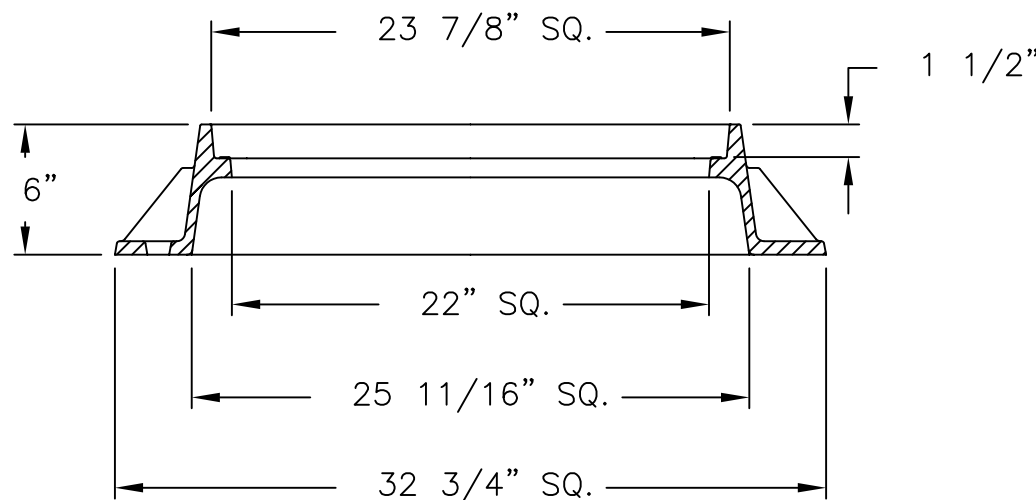
DATE
06/19/08

REFERENCE INFORMATION

525010



1" DIA
HANDLING
HOLE



SECTION