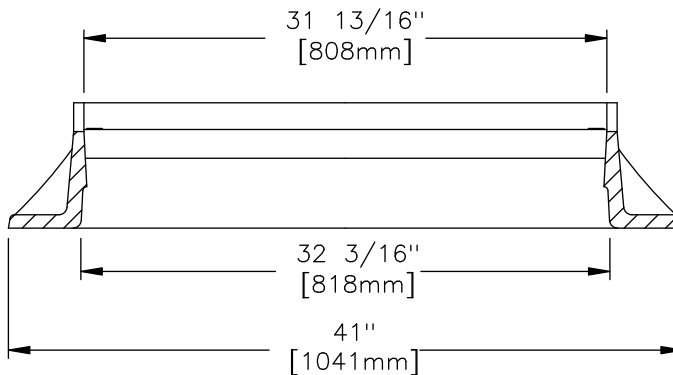


FRAME SECTION



FRAME SECTION

EAST JORDAN
 IRON WORKS, INC.
 P.O. BOX 439
 EAST JORDAN, MI. 49727
 1-800-874-4100
 FAX 231-536-4458

DRAWN SBB	DATE 04/16/07
APPROVED	DATE

5225Z FRAME

PRODUCT NO.
522510

CATALOG NO.
5225Z

REF. PRODUCT DRAWING
 522510

EST. WT.
 FRAME: 350 LBS 159kg

OPEN AREA
 N/A

MAT'L SPEC.
 FRAME - GRAY IRON
 ASTM A48 CL35

LOAD RATING
 HEAVY DUTY