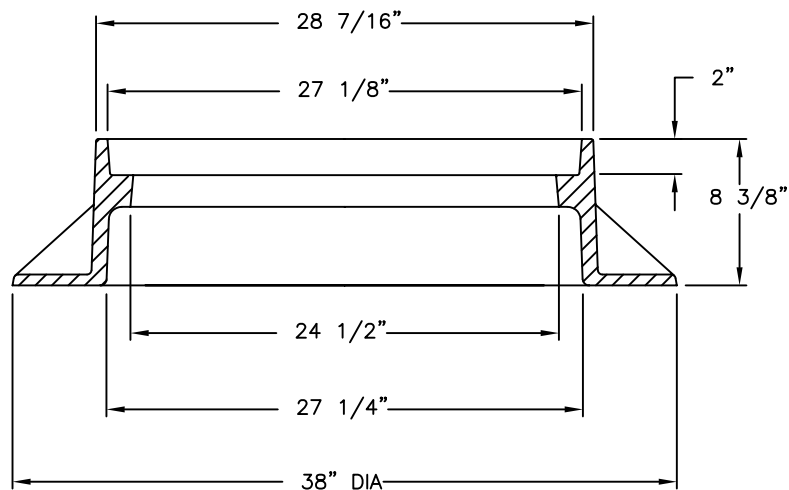


FRAME SECTION



FRAME SECTION

EJIW EAST JORDAN
IRON WORKS EST. 1883

800-626-4653
www.ejiw.com
MADE IN USA

PRODUCT NUMBER

00513010

CATALOG NUMBER

5130Z

MANHOLE FRAME

LOAD RATING

HEAVY DUTY

COATING

DIPPED

ESTIMATED WEIGHT

FRAME: 295 LBS

MATERIAL SPECIFICATION

FRAME - GRAY IRON

ASTM A48 CL35B

OPEN AREA

N/A

√ DESIGNATES MACHINED SURFACE

DRAWN

JIJ

DATE

01/02/01

LAST REVISED

GAD

DATE

03/27/08

REFERENCE INFORMATION

00513011.1D

00513011.1C