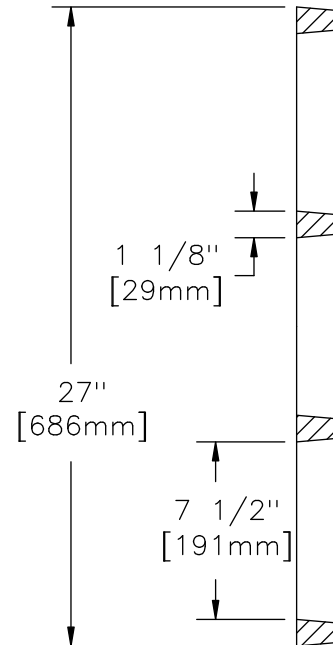
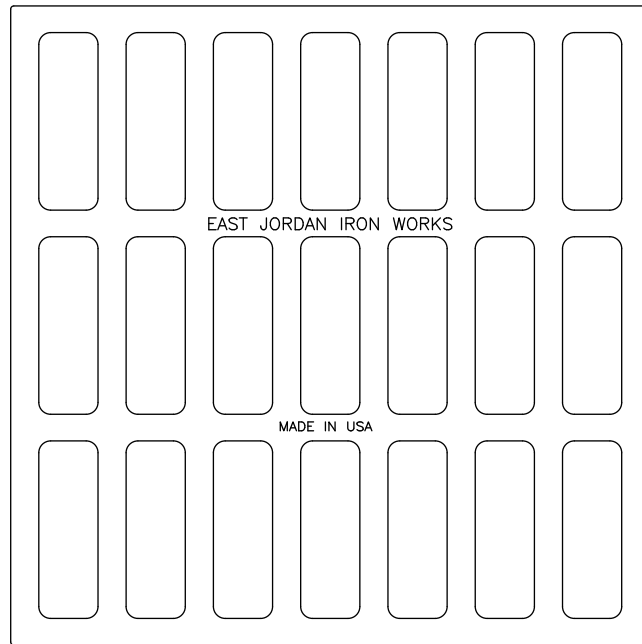
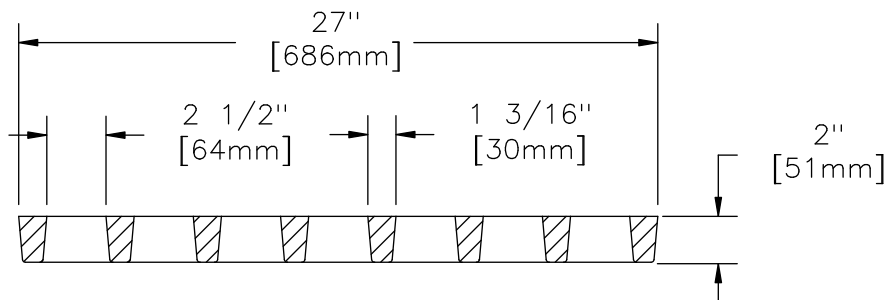


EAST JORDAN  
IRON WORKS, INC.  
P.O. BOX 439  
EAST JORDAN, MI. 49727  
1-800-874-4100  
FAX 231-536-4458

DRAWN PFB	DATE 09/10/99
APPROVED	DATE



GRATE SECTION



GRATE SECTION

<b>CATCH BASIN GRATE</b>	
PRODUCT NO. <b>511530</b>	
CATALOG NO. <b>5115M1</b>	
REF. PRODUCT DRAWING 511530	
EST. WT. GRATE: 130 LBS 59kg	
OPEN AREA 390 SQ. INCHES 2516 SQ. CM	
MAT'L SPEC. GRATE - GRAY IRON ASTM A48 CL35	
LOAD RATING HEAVY DUTY	