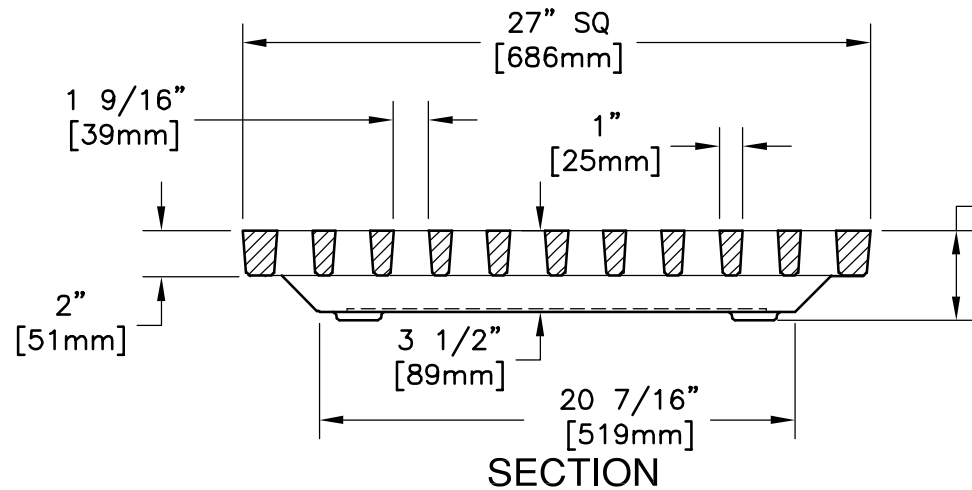


SECTION



SECTION

EJIW EAST JORDAN
IRON WORKS EST. 1883

800-626-4653
www.ejiw.com
MADE IN USA

PRODUCT NUMBER
00511535

CATALOG NUMBER
5115M2

**CATCH BASIN
GRATE**

LOAD RATING
HEAVY DUTY

COATING
DIPPED

ESTIMATED WEIGHT
GRATE: 221 LBS 100kg

MATERIAL SPECIFICATION
GRATE - GRAY IRON
ASTM A48 CL35B

OPEN AREA
296 SQ. IN 1935 SQ CM

√ DESIGNATES MACHINED SURFACE

DRAWN SBB	DATE 11/01/03
--------------	------------------

LAST REVISED DEW	DATE 08/18/06
---------------------	------------------

REFERENCE INFORMATION
00511535

CONFIDENTIAL: This drawing is the property of East Jordan Iron Works, Inc. and embodies confidential information, trade secret information, and/or know how that is the property of East Jordan Iron Works, Inc. © Copyright 2006 East Jordan Iron Works, Inc.