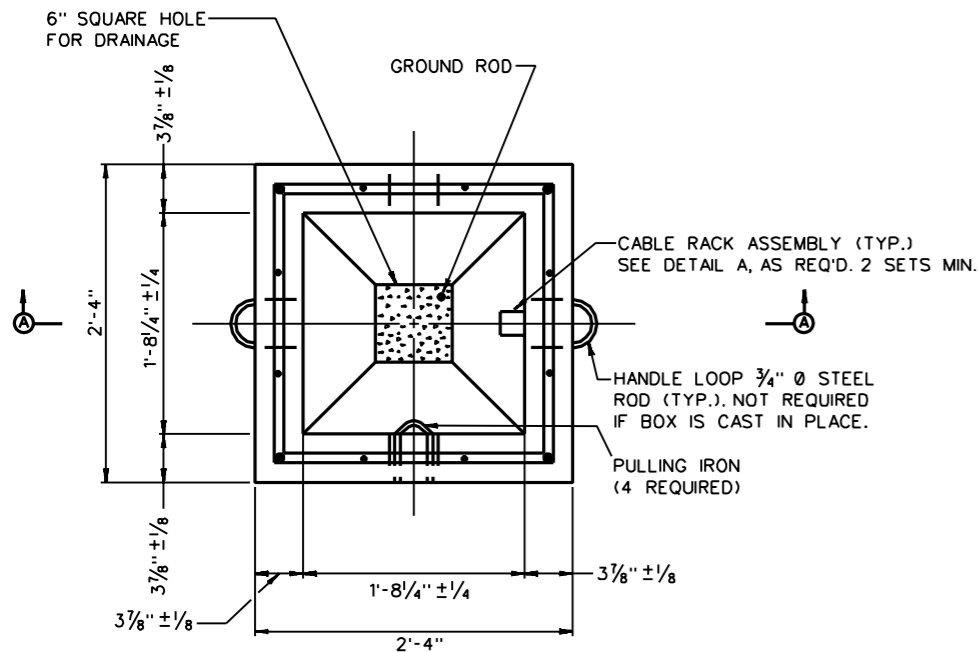
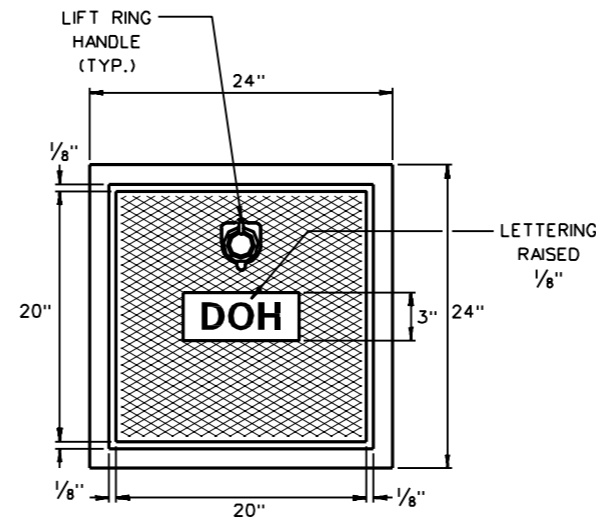


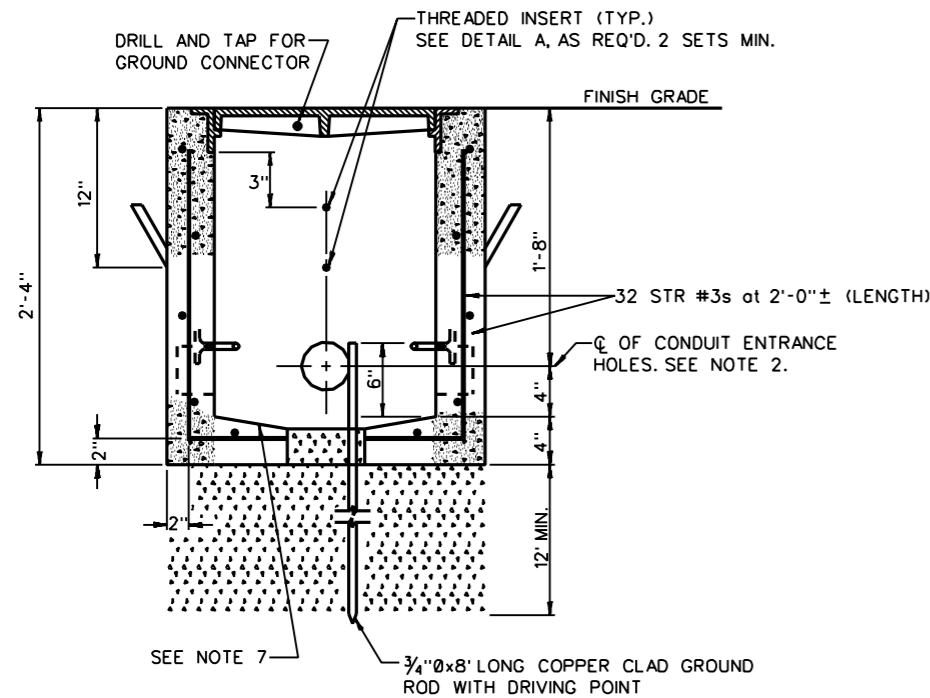
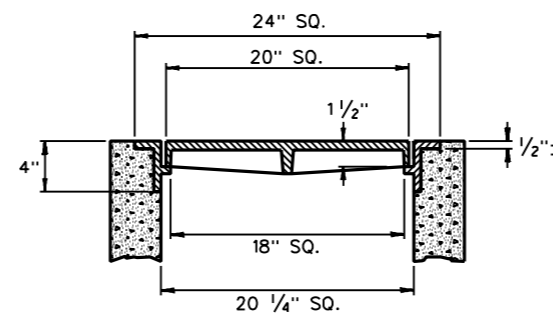
PUBLIC ROADS DIV.	STATE DIST. NO.	STATE PROJECT NO.	FEDERAL PROJECT NO.	FISCAL YEAR	COUNTY	SHEET NO.	TOTAL SHEETS



PLAN WITH COVER REMOVED

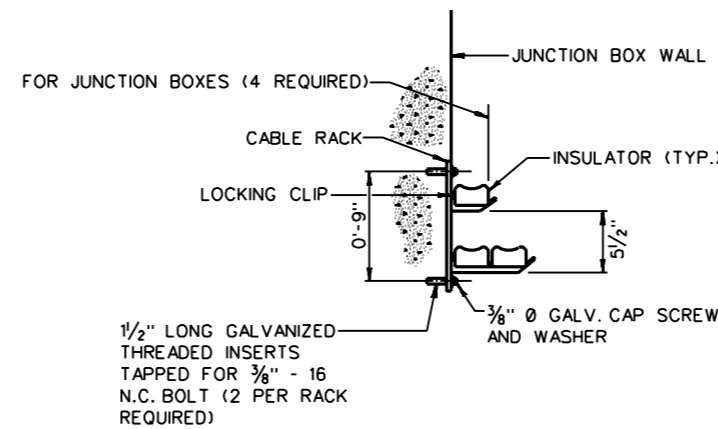


PLAN



SECTION A - A

CONCRETE JUNCTION BOX



DETAIL A

CABLE RACK ASSEMBLY

GENERAL NOTES

1. CONCRETE WHICH IS CAST IN PLACE SHALL MEET CLASS "B". CONCRETE WHICH IS PRECAST SHALL HAVE A MINIMUM COMPRESSIVE STRENGTH OF 3000 PSI IN 28 DAYS AND AN AIR CONTENT OF 7.1-2 PERCENT.
2. ALL CONDUIT ENTRANCE HOLES TO BE THREE INCH DIAMETER WITH ONE INCH KNOCKOUT WALL. FOUR HOLES PER JUNCTION BOX ARE REQUIRED UNLESS NOTED OTHERWISE.
3. CONDUCTORS SHALL BE SUPPORTED ON CABLE RACKS IN JUNCTION BOXES 18" x 18". JUNCTION BOXES (18" x 18") ARE TO HAVE END BELLS OR INSULATED BUSHINGS INSTALLED BEFORE ANY CABLE IS PULLED IN CONDUIT.
4. THIS JUNCTION BOX SHALL HAVE TYPE H-20 LOADING CAPACITY, BE WATERPROOF, AND THE COVER FRAME SHALL BE CAST INTEGRAL WITH THE CONCRETE BOX. ALL PORTIONS OF THIS JUNCTION BOX SHALL MEET THE REQUIREMENTS OF SECTION 715.42.11.2 OF THE SPECIFICATIONS.
5. THE FRAME CASTINGS SHALL BE CAST IRON MEETING THE REQUIREMENTS OF SECTION 709.10 OF THE SPECIFICATIONS. THE COVER SHALL BE DUCTILE IRON MEETING ASTM A 536, GRADE 80-55-6, 65-45-12, OR 60-40-18.
6. FRAMES AND COVERS ARE SHOWN AS EXAMPLES ONLY. SHOP DRAWINGS SHALL BE SUBMITTED IF DETAILS AND DIMENSIONS VARY.
7. BOTTOM OF JUNCTION BOXES SHALL BE SLOPED TO DRAIN HOLE.
8. FOR TYPE H, 10" x 10" OR TYPE L, 8" x 8", SEE TES-50.

- △ DECREASED ALL DIMENSIONS
- △ RACK SPACING
- △ CHANGED NOTE 4
- △ CHANGED GROUND ROD AND NOTE 4
- △ REVISED NOTES 1 AND 4

WEST VIRGINIA DIVISION OF HIGHWAYS
STANDARD DETAIL
JUNCTION BOX - TYPE H,
18" x 18"

PREPARED: 07/18/75

REVISIONS
△ 07-22-76
△ 12-10-76
△ 08-11-77
△ 09-15-84
△ 01-27-93